

Spare parts list

Edition 110215



Valid for serial no. 048-xxx-xxxx

Ordering no. Product

0700 300 881	Welding power source ET 1600
0700 300 882	Welding power source ET 1600 HF
0700 300 883	Welding power source ET 2000

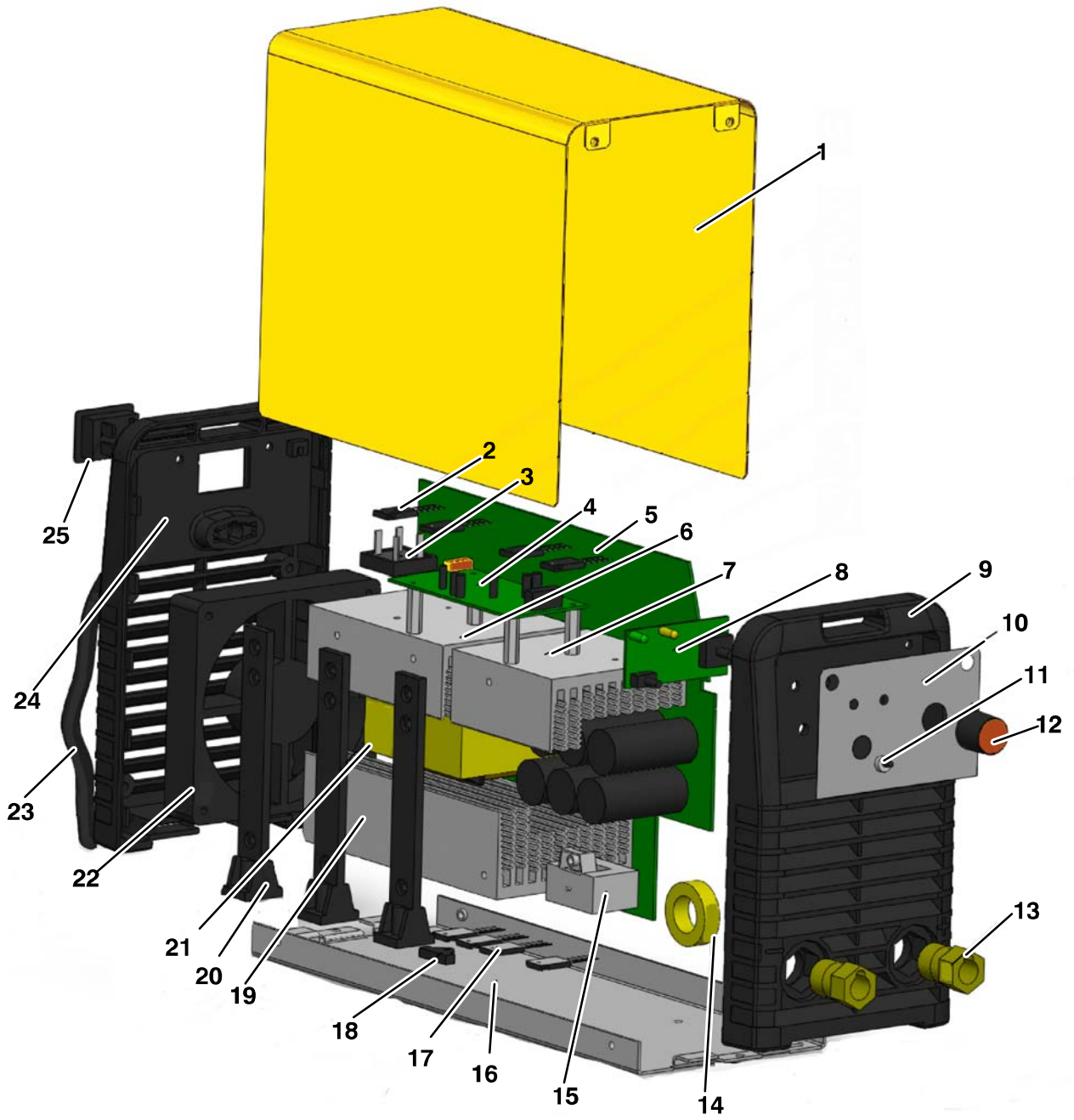
Spare parts are to be ordered through the nearest ESAB agency. Kindly indicate type of unit, serial number, denominations and ordering numbers according to the spare parts list.

Maintenance and repair work should be performed by an experienced person, and electrical work only by a trained electrician. Use only recommended spare parts.

Rights reserved to alter specifications without notice.

C = component designation in the circuit diagram

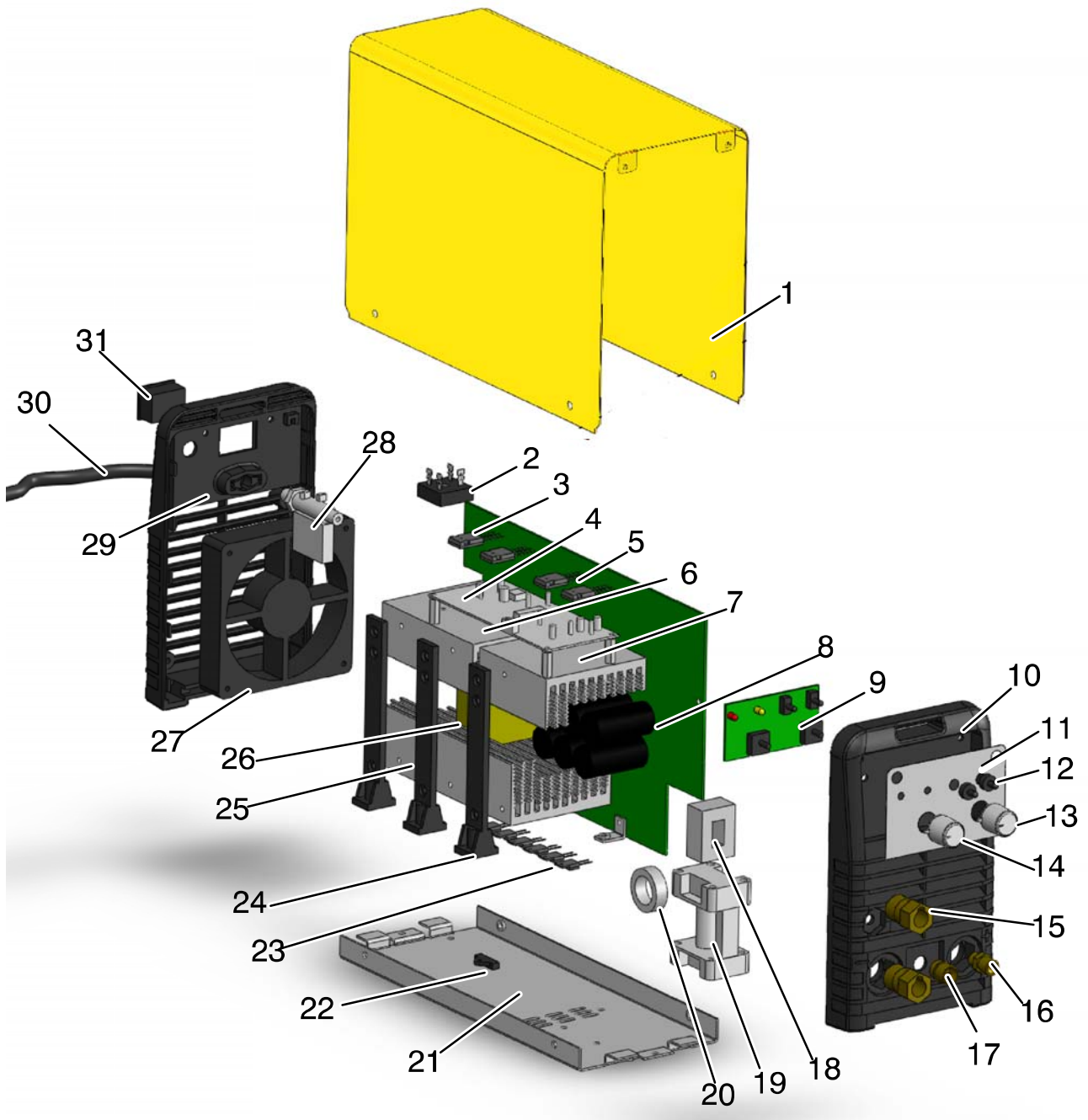
Item	Qty	Ordering no.	Denomination	Notes	C
1	1	0700 300 025	Machine cover		
2	1	-	<i>Transistor (IGBT)</i>		
3	1	-	<i>Rectifier bridge</i>		
4	1	-	<i>IGBT Control PCB</i>		
5	1	-	<i>Main PCB</i>		
6	1	-	<i>Heat sink 2</i>		
7	1	-	<i>Heat sink 3</i>		
8	1	-	<i>Front panel PCB complete</i>	Incl LED's and potentiometer	
9	1	0700 300 031	Plastic front panel		
10	1	0700 300 032	Front panel sticker		
11	1	0700 300 033	Rubber cap for switch		
12	1	0700 300 010	Adjustment knob		
13	1	0700 300 034	Socket	OKC machine 35-70 mm ²	
14	1	-	<i>Inductor</i>		
15	1	0700 300 036	Hall		
16	1	-	<i>Base panel</i>		
17	1	-	<i>Diode</i>		
18	1	-	<i>Thermal relay</i>		
19	1	-	<i>Heat sink 1</i>		
20	1	-	<i>Heat sink holder</i>		
21	1	-	<i>Transformer</i>		
22	1	0700 300 041	Cooling fan		
23	1	0700 300 042	Power cable		
24	1	0700 300 043	Plastic rear panel		
25	1	0700 300 044	On/off switch		



ET 1600HF

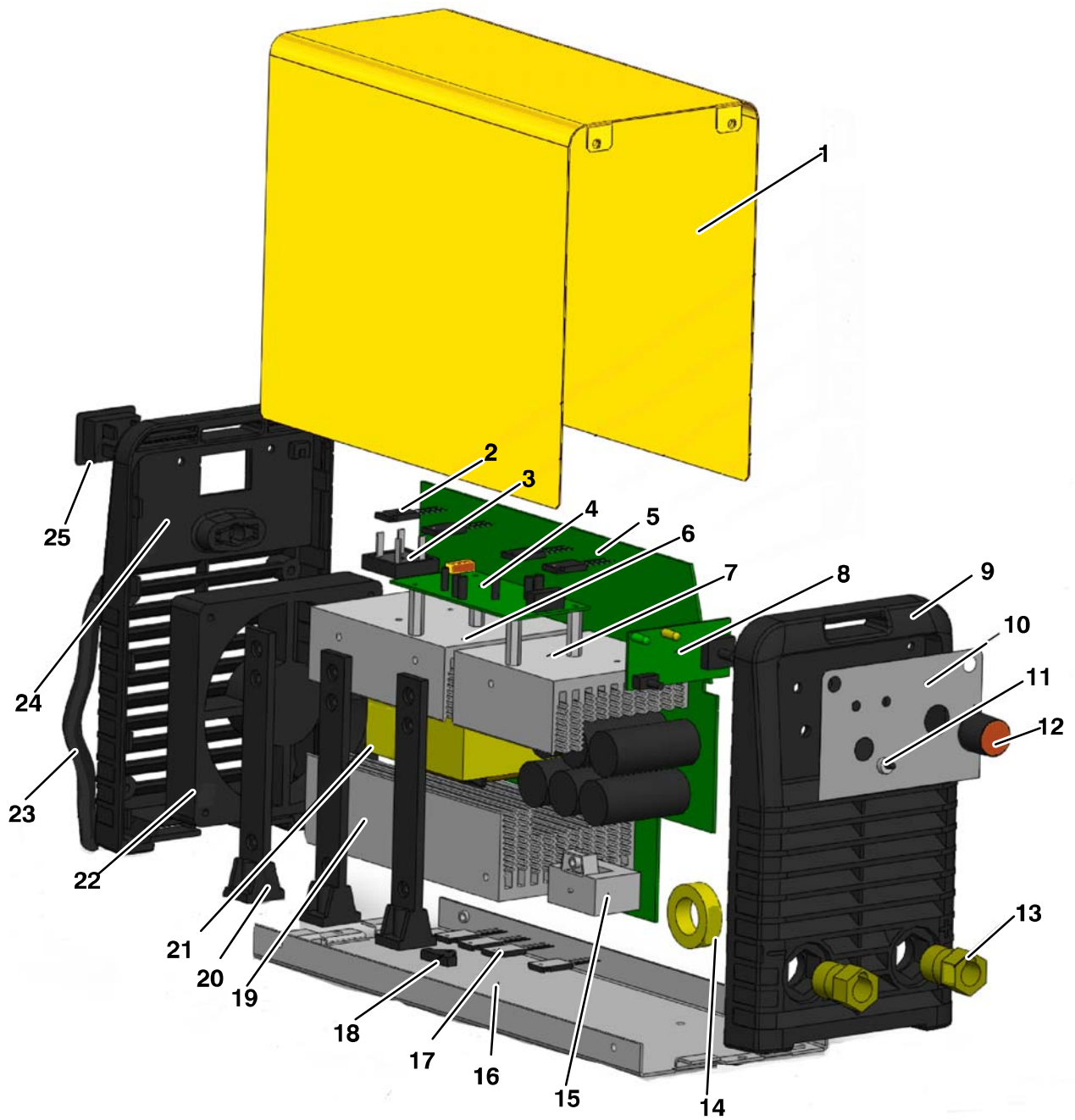
C = component designation in the circuit diagram

Item	Qty	Ordering no.	Denomination	Notes	C
1	1	0700 300 045	Machine cover		
2	1	-	<i>Rectifier bridge</i>		
3	1	-	<i>Transistor (IGBT)</i>		
4	1	-	<i>IGBT control PCB</i>		
5	1	-	<i>Main PCB</i>		
6	1	-	<i>Heat sink 2</i>		
7	1	-	<i>Heat sink 3</i>		
8	1	-	<i>Capacitor</i>		
9	1	-	<i>Front panel PCB complete</i>	Incl LED's stitch and potentiometer	
10	1	-	<i>Plastic front panel</i>		
11	1	0700 300 053	Front panel sticker		
12	2	0700 200 033	Rubber cap for switch		
13	1	0700 300 010	Adjustment knob		
14	1	0700 300 054	Knob (current setting)		
15	2	0700 300 034	Socket	OKC machine 35-70 mm ²	
16	1	0700 300 055	Gas connection		
17	1	0700 300 056	Socket 3-pin		
18	1	-	<i>Hall</i>		
19	1	-	<i>HF Transformer</i>		
20	1	-	<i>Inductor</i>		
21	1	-	<i>Base panel</i>		
22	1	-	<i>Thermistor</i>		
23	1	-	<i>Fast recovery diod</i>		
24	1	-	<i>Heat sink holder</i>		
25	1	-	<i>Heat sink 1</i>		
26	1	-	<i>Main transformer</i>		
27	1	0700 300 064	Cooling fan		
28	1	0700 300 065	Solenoid valve		
29	1	0700 300 066	Rear plastic panel		
30	1	0700 300 042	Power cable		
31	1	0700 300 067	On/off switch		



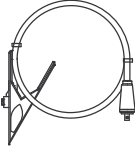
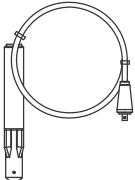
C = component designation in the circuit diagram

Item	Qty	Ordering no.	Denomination	Notes	C
1	1	0700 300 068	Machine cover		
2	1	-	<i>Transistor (IGBT)</i>		
3	1	-	<i>Rectifier bridge</i>		
4	1	-	<i>IGBT Control PCB</i>		
5	1	-	<i>Power system PCB</i>		
6	1	-	<i>Heat sink 2</i>		
7	1	-	<i>Heat sink 3</i>		
8	1	-	<i>Front panel PCB complete</i>	Incl LED's and potentiometer	
9	1	0700 300 031	Plastic front panel		
10	1	0700 300 072	Front panel sticker		
11	1	0700 300 033	Rubber cap for switch		
12	1	0700 300 010	Adjustment knob		
13	1	0700 300 034	Socket	OKC machine 35-70 mm ²	
14	1	-	<i>Inductor</i>		
15	1	0700 300 036	Hall		
16	1	-	<i>Base panel</i>		
17	1	-	<i>Fast recovery diode</i>		
18	1	-	<i>Thermalistor</i>		
19	1	-	<i>Heat sink 1</i>		
20	1	-	<i>Heat sink holder</i>		
21	1	-	<i>Main transformer</i>		
22	1	0700 300 084	Cooling fan		
23	1	0700 300 082	Power cable		
24	1	0700 300 083	Plastic rear panel		
25	1	0700 300 081	On/off switch		



ET 1600

Accessories

 A coiled cable with a clamp at one end and a connector at the other.	Return cable with clamp 0700 300 863 3 m 16 mm ²
 A coiled cable with an electrode holder at one end and a connector at the other.	Welding cable with electrode holder 0700 300 862 3 m 16 mm ²
	TIG torch 17, 4 m 0700 300 860 (for ET 1600HF only)
	TIG torch 17v, 4 m 0700 300 861 (for ET 1600 & ET 2000 only)

